



**Product Information Packet: Model No: 5KH35JN3132T, Catalog No:4682 1/3,1725,DP,56Z,1/60/115/208-230**

**Nameplate Specifications**

Output HP	<b>1/3 Hp</b>	Output KW	<b>0.25 kW</b>
Frequency	<b>60 Hz</b>	Voltage	<b>115/208-230 V</b>
Current	<b>6.2,3.1 A</b>	Speed	<b>1725 rpm</b>
Service Factor	<b>1.35</b>	Phase	<b>1</b>
Efficiency	<b>59.2 %</b>	Duty	<b>Continuous</b>
Insulation Class	<b>B</b>	KVA Code	<b>R</b>
Frame	<b>56Z</b>	Enclosure	<b>Drip Proof</b>
Overload Protector	<b>AUTO</b>	Ambient Temperature	<b>40 °C</b>
Drive End Bearing Size	<b>6203</b>	Opp Drive End Bearing Size	<b>6203</b>
UL	<b>Recognized</b>	CSA	<b>Yes</b>
CE	<b>N</b>		

**Technical Specifications**

Electrical Type	<b>Split Phase</b>	Starting Method	<b>SM</b>
Poles	<b>4</b>	Rotation	<b>Counterclockwise/Clockwise</b>
Mounting	<b>Resilient Base</b>	Motor Orientation	<b>ANY</b>
Drive End Bearing	<b>BALL</b>	Opp Drive End Bearing	<b>BALL</b>
Frame Material	<b>Rolled Steel</b>	Overall Length	<b>10.3 in</b>
Frame Length	<b>5.79 in</b>	Shaft Diameter	<b>0.5 in</b>
Shaft Extension	<b>2.25 in</b>	Thru-bolts Extension	<b>0</b>
Outline Drawing	<b>52A106925P1</b>	Connection Diagram	<b>52A105383AA</b>

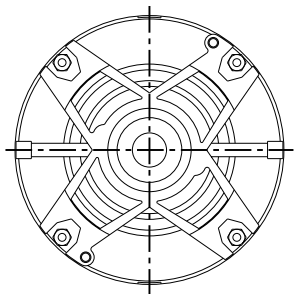
**This is an uncontrolled document once printed or downloaded and is subject to change without notice. Date Created: 10/08/2018**

THIRD ANGLE PROJECTION

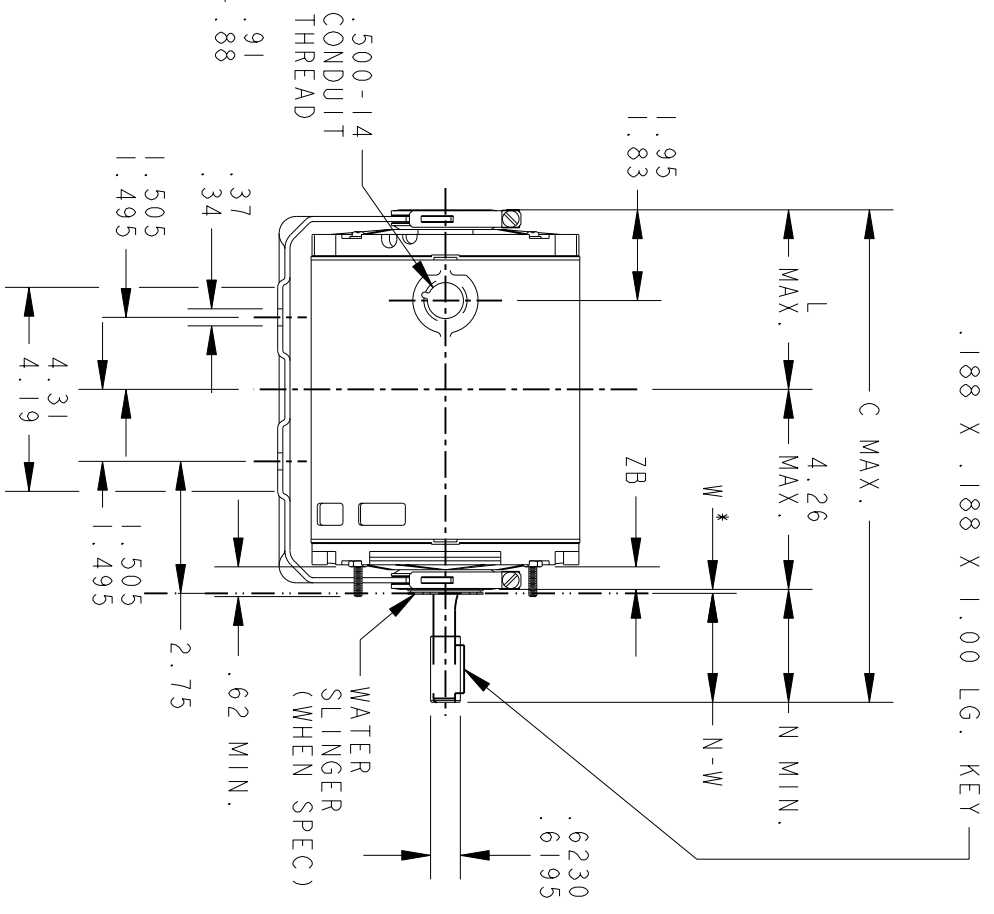
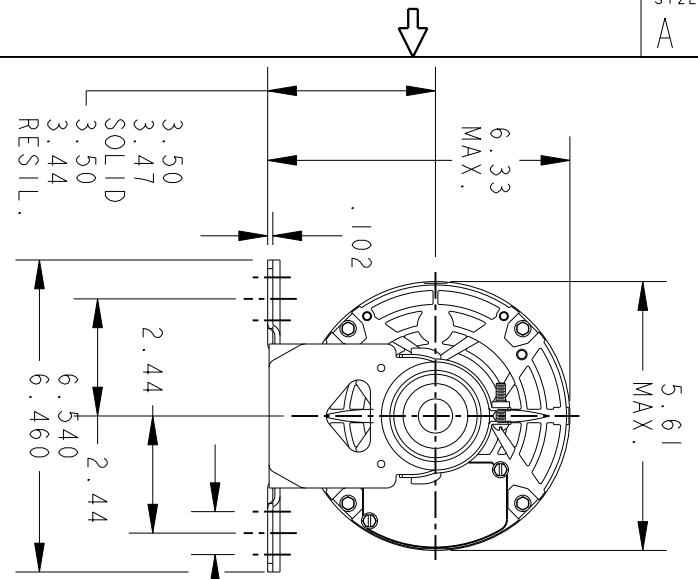


REVISIONS

REV.	DESCRIPTION	DATE	APPROVED
3	REDRAWN BY 2M SOFTWARE CO.	02/09/95	CCP
4	CHG TO RBC FORMAT PER IS05-1777	02/14/06	DURGA



VIEW SHOWING P.E. VENTILATION OPENINGS



W \* IS A CLEARANCE DUE TO VARIATION IN PARTS AND ASSEMBLY.

P	TYPE	GE SIZE	NEMA FR	C	L	N	N-W	ZB
1	KH	35	56Z	10.26	3.80	2.25	2.38/2.16	.55/.52



REGAL-BELOTT CORPORATION

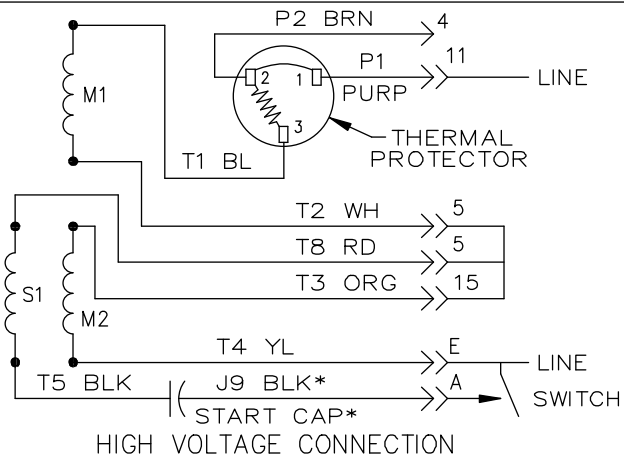
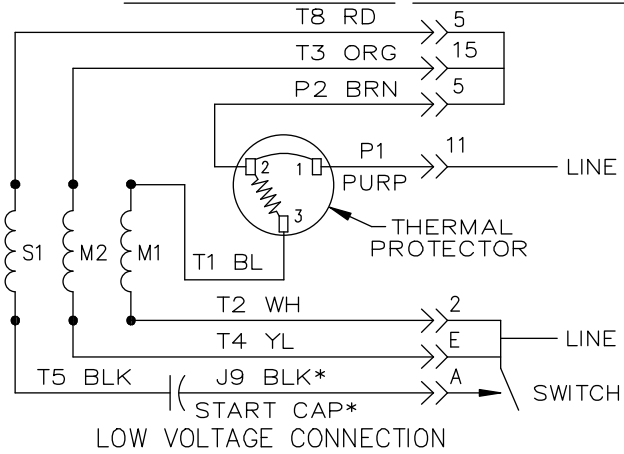
TITLE OUTLINE

FORM N - GENERAL PURPOSE MOTOR - DRIP PROOF  
SOLID OR RESIL BASE - BALL OR SLEEVE BEARING-FMF: SKH35JN3132T

FOR ADDITIONAL INFO REFER TO:	MFG	ISSUED	QUALITY
APPLIED PRACTICES	ISSUED	C.C.P.	02/09/95
DIMENSIONS ARE IN INCHES	SOLID MODEL: 52A106925		

SCALE: 1.000	REF. No.:	SHEET 1 of 1
SIZE: DRAWING A	REV 4	

EITHER ROTATION, DUAL VOLTAGE, TYPE KC OR KH, WITH THERMAL PROTECTION



NOTE #1 - START CAP & J9 WHEN SPECIFIED (\*). IF NO CAPACITOR (KH), CONNECT T5 DIRECTLY TO SWITCH (A). WHEN MORE THAN ONE CAPACITOR IS USED, CONNECT IN PARALLEL.

NOTE #2 - TO REVERSE ROTATION, INTER CHANGE RD(T8) AND BLK(J9-KC OR T5-KH) LEADS.

SWITCH REF. - 115D958AB	CONNECTION LABEL	CCW ROTATION: NP52X332051AA
		CW ROTATION: NP52X332051AC

NO.	REVISION	BY & DATE	CHK	TOLERANCES UNLESS SPECIFIED		FINISH	DRAWN M.D.P 06/29/87		
				DEC.	INCHES				
				.X	±0.1	<b>REGAL-BELOIT CORPORATION</b>	CHK		
				.XX	±0.02		TITLE	APPD M.D.P 03/26/96	
5	ADDED CONNECTION LABEL PER ECO-0030779	UD 02/06/13	PKG	.XXX	±0.005	CONNECTION DIAGRAM 30 FRAME SWITCH REDESIGN	SCALE 1=1		
4	UPDATED PER ISO7-0150	MD 01/23/07		.XXXX	±0.0005		MAT'L.	REF	
				ANG	±1.0		FMF		
THIS DRAWING IN DESIGN AND DETAIL IS OUR PROPERTY AND MUST NOT BE USED EXCEPT IN CONNECTION WITH OUR WORK. ALL RIGHTS OF DESIGN AND INVENTION ARE RESERVED. THIS IS AN ELECTRONICALLY GENERATED DOCUMENT - DO NOT SCALE THIS PRINT				RFP		CAD FILE 52A105383AA	SIZE A	DRAWING NO. 52A105383AA	REV. 5
				DIST					